



Page 488
Professional Screw Clamp



Page 490
Professional Screw Clamp 45°/90°



Page 492
Pipe Clamp Universal



Page 494
Professional Fast Tension Clamp



Page 496
Prism for Screw Clamps



Page 496
Prism for Screw Clamps



Page 496
Prism for Screw Clamps



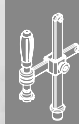
Page 497
Duo Prism Ø 40



Page 497
Duo Prism Ø 40



Page 497
Duo Prism Ø 40



Clamps & Accessories

220631
200 mm

280617

280662

220618

220632
310 mm

220634.2
170 mm

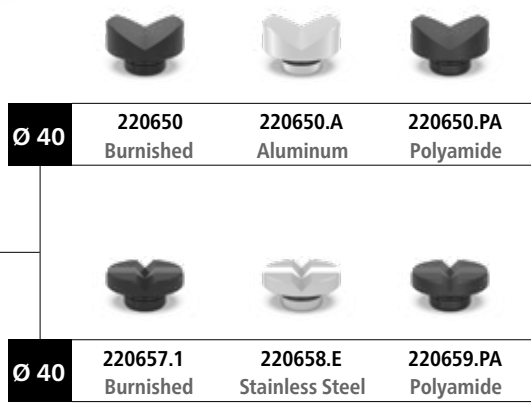
220634.1
135 mm

220634
100 mm

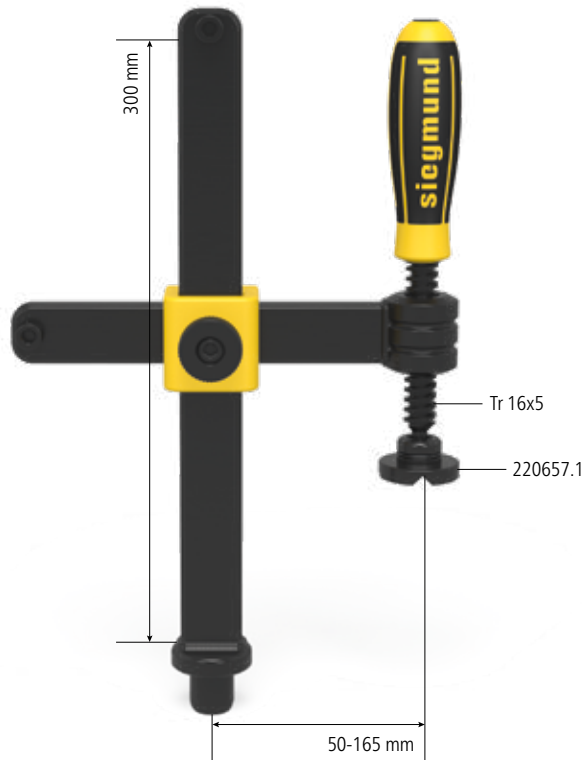
220635.1
150 mm

220635
83 mm

Ø 40	220650 Burnished	220650.A Aluminum	220650.PA Polyamide
	220657.1 Burnished	220658.E Stainless Steel	220659.PA Polyamide



Professional Screw Clamp



Description:

Professional Screw Clamp, enables fast, powerful and exact clamping with a variety of welding elements. Achieve maximum efficiency through time-saving, quick adjustments and effortless disassembly. For individual modification, we offer special lengths of horizontal and vertical bars. The dimensions of the horizontal bar are 30x10 mm. The dimensions of the vertical bar are 30x14 mm. Additionally, the vertical bar is reinforced.

To safely fasten every kind of welding element, the prisms are interchangeable. For suitable prisms, see page 496.

A long lifetime and efficiency is guaranteed by the burnished material, as well as the option to order spare parts individually.

With the new handwheel on the cast iron cross, the height can be adjusted within seconds. Due to the hexagonal Allen insert, located at the top of the handle, the force of the clamp can be adjusted precisely by a torque-limiting wrench.

New design - Available from 01.01.2019. We reserve the right to deliver the old version until 01.01.2019.

The previous versions (220610, 220630, 220615, 220604) contain individual parts from system 28. Spare parts for the previous version see from page 264.



220610.1



220610.1.S

Standard model	maximum load:	Weight:	Item No.
Professional Screw Clamp	5 kN	2,70 kg	2-220610.1 ●
Professional Screw Clamp special size			2-220610.1.S ○

● = Item produced for stock; ○ = Item produced on order; Explanations see page 84

Standard model 220610.1:
consisting of 1x 220634, 1x 220631, 1x 220632, 1x 220618, 1x 280617, 1x 280662.N, 1x 220657.1

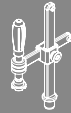


Spare parts, special sizes and parts for a individual configuration				
Threaded Arbor with handle - for 220610.1, 220630.1, 220604.1 - Trapezoid thread 16 x 5 mm	100 mm 2-220634 ●	135 mm 2-220634.1 ●	170 mm 2-220634.2 ●	special size 2-220634.S ○
Threaded Arbor with hexagon and toggle - for 220610.1, 220630.1, 220604.1 - Trapezoid thread 16 x 5 mm		83 mm 2-220635 ●	150 mm 2-220635.1 ●	special size 2-220635.S ○
Horizontal Bar - for 220610.1 - without Bushing 220618, please order separately				200 mm 2-220631 ●
Vertical Bar - for 220610.1, 220615.1 - Vertical Bar reinforced				310 mm 2-220632 ●
Thread Bushing - Acme trapezoidal thread 16 x 5 mm for system 22 screw clamp arbor - for 220610.1 - burnished				2-220618 ●
Cast Iron Cross - for 280610, 280611, 280615, 220610.1, 220615.1 - without handwheel				45 mm 2-280617 ●
Handwheel for Cast Iron Cross - for 280610, 280612, 280630, 280615, 280611, 220610.1, 220630.1, 220615.1				25 mm 2-280662.N ●

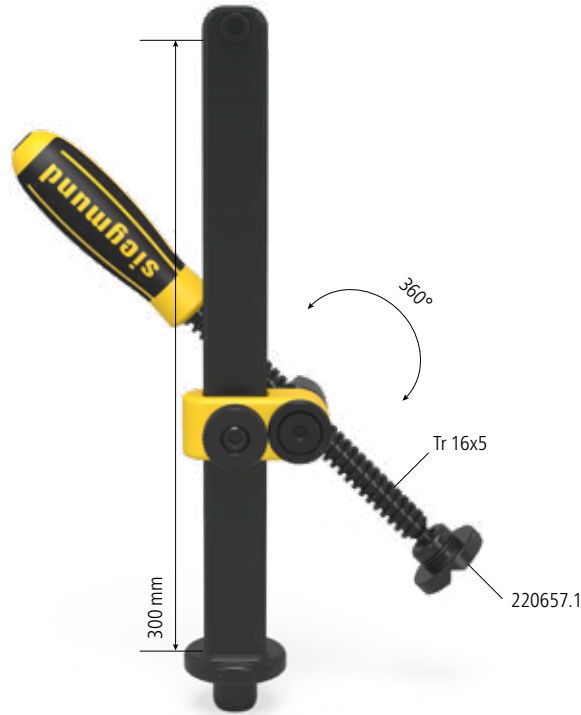
● = Item produced for stock; ○ = Item produced on order; Explanations see page 84



Cut-to-length spacer supplied by customer



Professional Screw Clamp 45°/90°



Description:

The Professional Screw Clamp 45°/90° replaces conventional 45° or 90° screw clamps. This Screw Clamp sets new standards because of its infinitely variable rotatability from 0°-360°.

To fasten every kind of welding part with the clamps, the prisms are interchangeable. For suitable prisms see page 496. The dimensions of the flat bar in use are 30x14 mm.

A long lifetime and efficiency is guaranteed by the burnished material, as well as the option to order spare parts individually.

With the new handwheel on the cast iron cross, the height can be adjusted quickly. Through the countersunk hexagonal Allen Wrench, located at the top of the handle, the force of the clamp can be adjusted precisely by a torque wrench. Additionally, the vertical bar is reinforced.

New design - Available from 01.01.2019. We reserve the right to deliver the old version until 01.01.2019.

The previous versions (220610, 220630, 220615, 220604) contain individual parts from system 28. Spare parts for the previous version see from page 264.



220630.1



220630.1.S

Standard model	maximum load:	Weight:	Item No.
Professional Screw Clamp 45°/90°	5 kN	2,21 kg	2-220630.1 ●
Professional Screw Clamp 45°/90° special size			2-220630.1.S ○

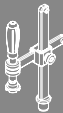
● = Item produced for stock; ○ = Item produced on order; Explanations see page 84

Standard model 220630.1:
consisting of 1x 220634.1, 1x 220633, 1x 229108, 1x 280617.2, 1x 280662, 1x 289109, 1x 220657.1

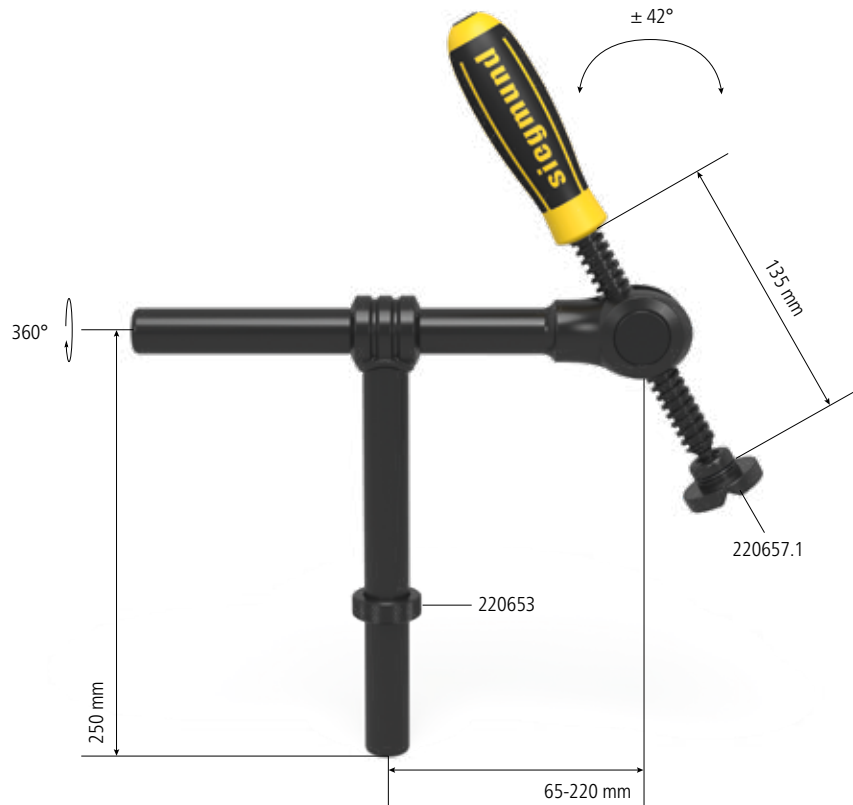


Spare parts, special sizes and parts for a individual configuration				
Threaded Arbor with handle - for 220610.1, 220630.1, 220604.1 - Trapezoid thread 16 x 5 mm	100 mm 2-220634 ●	135 mm 2-220634.1 ●	170 mm 2-220634.2 ●	special size 2-220634.S ○
Threaded Arbor with hexagon and toggle - for 220610.1, 220630.1, 220604.1 - Trapezoid thread 16 x 5 mm		83 mm 2-220635 ○	150 mm 2-220635.1 ●	special size 2-220635.S ○
Vertical Bar - for 220630.1 - Vertical Bar reinforced				310 mm 2-220633 ●
Bushing for Threaded Arbor - for 220630.1				42 mm 2-229108 ●
Cast Iron Cross - for 280630, 220630.1 - without handwheel				70 mm 2-280617.2 ●
Handwheel for Cast Iron Cross - for 280610, 280612, 280630, 280615, 280611, 220610.1, 220630.1, 220615.1				25 mm 2-280662.N ●
Disc for Cast Iron Cross - for 280630, 220630.1 - with countersunk bolt M10x25				10 mm 2-289109 ●

● = Item produced for stock; ○ = Item produced on order; Explanations see page 84



Basic Pipe Clamp Universal



Description:

Pipe Clamp Universal, with swiveling Arbor enables flexible clamping at a + / - 42 degree angle. This Pipe Clamp combines the advantages of conventional 45° or 90° clamps. It can be used at an angle as well as straight, resulting in additional clamping options and a more variable clamping range.

The horizontal round tube with a length of 200 mm is fully adjustable and creates, combined with the swiveling arbor, a variable clamping range. The length of the vertical pipe is 250 mm. To safely fasten different welding parts, the prisms are interchangeable.

For compatible prisms, see page 496. A long lifetime and efficiency is guaranteed by the burnished material, as well as the option to order replacement parts individually.

To integrate the vertical pipe into the system bore holes, an adjusting ring is used (Item No. 220653). As a standard feature, the Round Pipe Clamp Universal is equipped with a 135 mm threaded arbor.

New design - Available from 01.01.2019. We reserve the right to deliver the old version until 01.01.2019.

The previous versions (220610, 220630, 220615, 220604) contain individual parts from system 28. Spare parts for the previous version see from page 264.



220604.1

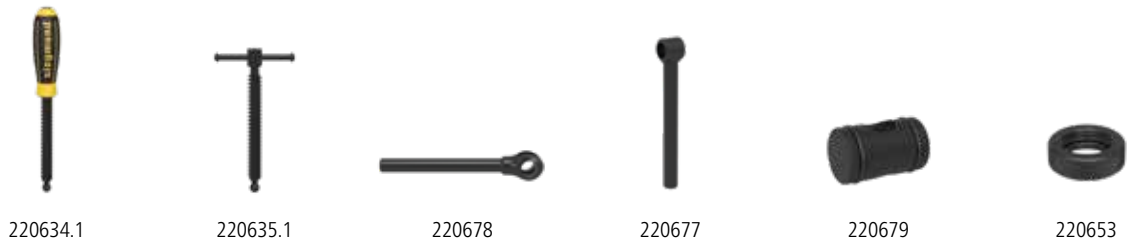


220604.5

Standard model	maximum load:	Weight:	Item No.
Pipe Clamp Universal	1,4 kN	1,91 kg	2-220604.1 ●
Pipe Clamp Universal special size			2-220604.5 ○

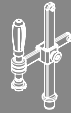
● = Item produced for stock; ○ = Item produced on order; Explanations see page 84

Standard model 220604.1:
consisting of 1x 220634.1, 1x 220678, 1x 220677, 1x 220679, 1x 220653, 1x 220657.1

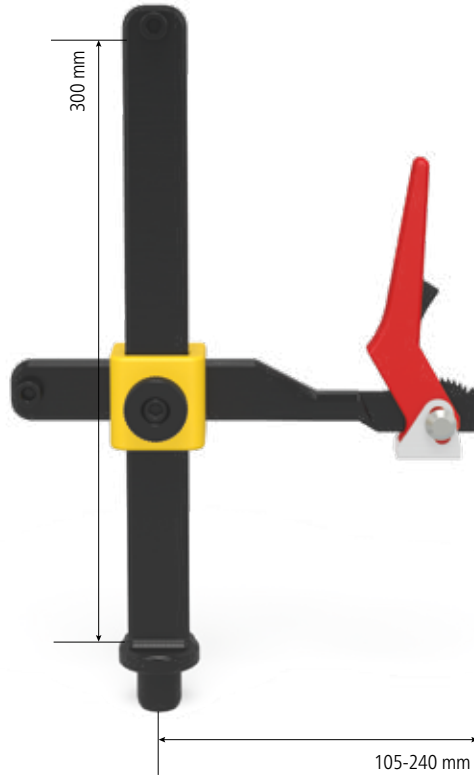


Spare parts, special sizes and parts for a individual configuration				
Threaded Arbor with handle - for 220610.1, 220630.1, 220604.1 - Trapezoid thread 16 x 5 mm	100 mm 2-220634 ●	135 mm 2-220634.1 ●	170 mm 2-220634.2 ●	special size 2-220634.S ○
Threaded Arbor with hexagon and toggle - for 220610.1, 220630.1, 220604.1 - Trapezoid thread 16 x 5 mm		83 mm 2-220635 ○	150 mm 2-220635.1 ●	special size 2-220635.S ○
Horizontal Round Pipe - for 220604.1				200 mm ● 2-220678 ●
Vertical Round Pipe - for 220604.1				2-220677 ●
Arbor Thread - for 220604.1				42 mm ● 2-220679 ●
Adjusting Ring - for 220604.1				2-220653 ●

● = Item produced for stock; ○ = Item produced on order; Explanations see page 84



Professional Fast Tension Clamp



Description:

The Professional Fast Tension Ratchet Clamp is used to clamp welding parts quickly and powerfully. The force can be set individually with the grating.

A long lifetime and efficiency is guaranteed by the material, as well as the possibility to order spare parts individually.

With the new handwheel on the cast iron cross, the height can be adjusted quickly.

New design - Available from 01.01.2019. We reserve the right to deliver the old version until 01.01.2019.

The previous versions (220610, 220630, 220615, 220604) contain individual parts from system 28. Spare parts for the previous version see from page 264.



220615.1

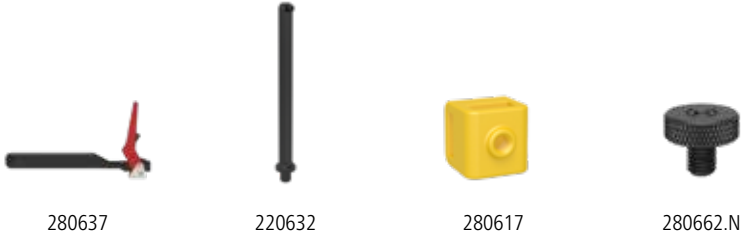


220615.1.S

Standard model	maximum load:	Weight:	Item No.
Professional Fast Tension Clamp	5 kN	2,70 kg	2-220615.1 ●
Professional Fast Tension Clamp special size			2-220615.1.S ○

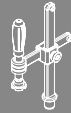
● = Item produced for stock; ○ = Item produced on order; Explanations see page 84

Standard model 220615.1:
consisting of 1x 280637, 1x 220632, 1x 280617, 1x 280662.N



Spare parts, special sizes and parts for a individual configuration				
Horizontal Bar with Fast Clamping Function - for 280615, 220615.1	200 mm 2-280637	350 mm 2-280637.1	500 mm 2-280637.2	special size 2-280637.S
Vertical Bar - for 220610.1, 220615.1 - Vertical Bar reinforced				310 mm 2-220632
Cast Iron Cross - for 280610, 280611, 280615, 220610.1, 220615.1 - without handwheel				45 mm 2-280617
Handwheel for Cast Iron Cross - for 280610, 280612, 280630, 280611, 220610.1, 220630.1, 220615.1				25 mm 2-280662.N

● = Item produced for stock; ○ = Item produced on order; Explanations see page 84



Prism for Screw Clamps

Description:

Prism for Screw Clamps, suitable for clamping of round and square pipes. Due to its location at the ball head of the threaded arbor, the prism is movable and can therefore be fixed precisely on the workpiece. It is replaced by simply taking it off the ball head.

The Prism is available in various material finishes.

The Polyamid Prism is used for scratch-prone surfaces.

The Stainless Steel Prism is used for scratch-resistant precious metals (rust prevention).



220657.1

220658.E



220659.PA



	Height: (c)	Ø: (o)	Weight:	Item No.
Prism for Screw Clamps - burnished - for Arbor with Trapezoid thread 16 x 5 mm	20 mm	40 mm	0,05 kg	2-220657.1 ●
Prism for Screw Clamps - Stainless Steel - for Arbor with Trapezoid thread 16 x 5 mm	20 mm	40 mm	0,04 kg	2-220658.E ●
Prism for Screw Clamps - Polyamide - for Arbor with Trapezoid thread 16 x 5 mm	20 mm	40 mm	0,01 kg	2-220659.PA ●

● = Item produced for stock; ○ = Item produced on order; Explanations see page 84

Duo Prism Ø 40 for Screw Clamps

Description:

Duo Prism, compatible with all bore holes and screw clamps of System 22, due to its dual function. The O-ring provides perfect fixing and fitting accuracy. The 120° square creates a stable support surface for all round pipes. The leveled corners of the prism enable working with flat welding parts.

The Polyamid Prism is used for scratch-prone surfaces.

The prism polyamide is only suitable for use as a prism for screw clamps.

Available from 01.04.2019.



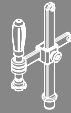
220650



220650.A



220650.PA



	Height: (c)	Ø: (o)	Weight:	Item No.
Duo Prism Ø 40 - burnished - for Arbor with Trapezoid thread 16 x 5 mm	27 mm	40 mm	0,13 kg	2-220650 ●
Duo Prism Ø 40 - Aluminum - for Arbor with Trapezoid thread 16 x 5 mm	ALU 27 mm	40 mm	0,06 kg	2-220650.A ●
Duo Prism Ø 40 - Polyamide - for Arbor with Trapezoid thread 16 x 5 mm	PA 27 mm	40 mm	0,02 kg	2-220650.PA ●

● = Item produced for stock; ○ = Item produced on order; Explanations see page 84